

GROUP 0P

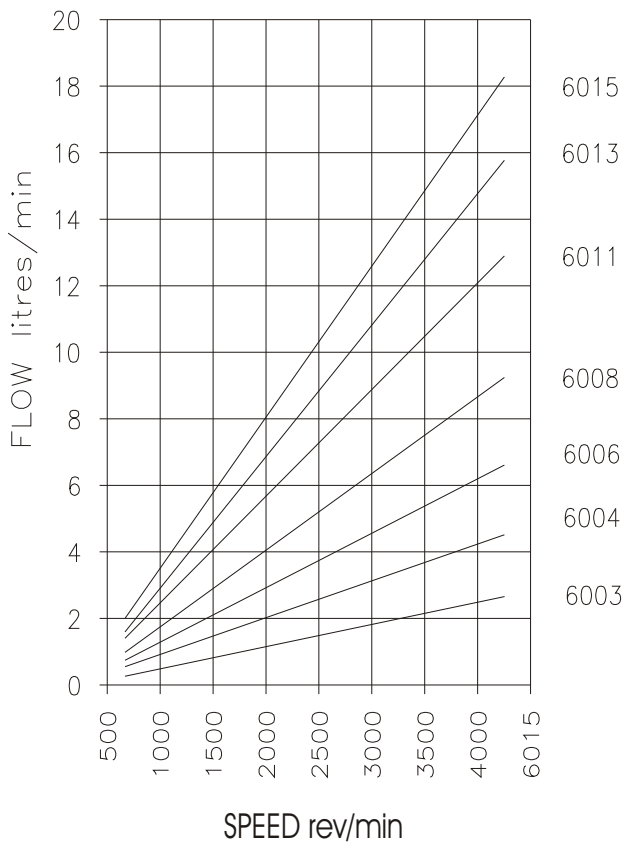
PERFORMANCE DATA

Pressures quoted are relief valve maximum by-pass
 Performance with SAE ZOW oil at 50 C

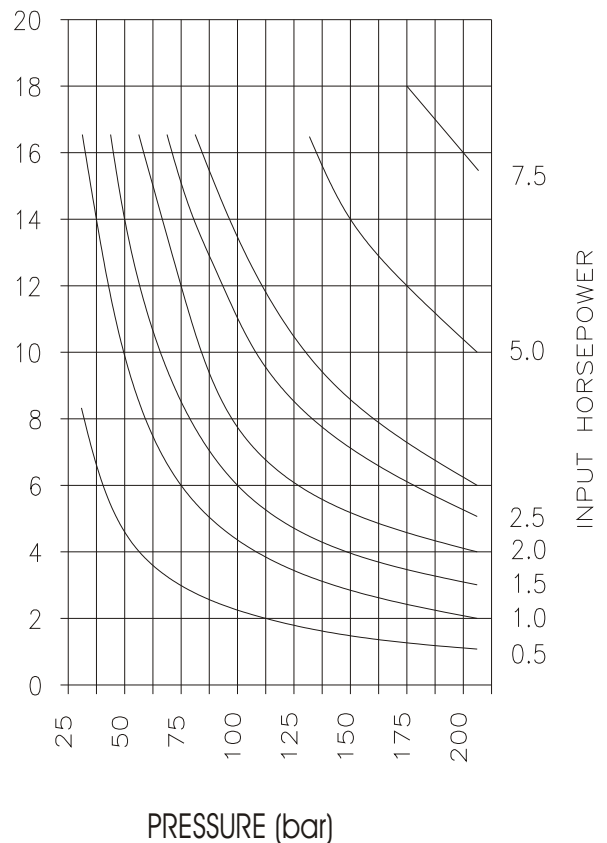
PUMP TYPE	Nominal Displacement	Nominal Delivery @1500 rpm & Pressure P	Maximum Continuous Pressure P		Speed at Maximum Continuous Pressure P	
			Psi	Bar	Max	Min
	Cc/rev	lpm				
6003	0.80	1.20	3000	207	4000	500
6004	1.20	1.80	3000	207	4000	500
6006	1.67	2.50	3000	207	4000	500
6008	2.27	3.40	3000	207	4000	500
6011	3.20	4.80	3000	207	4000	500
6013	2.87	5.80	3000	207	4000	500
6015	4.53	6.80	3000	207	4000	600

TYPICAL PERFORMANCE

TYPICAL PUMP DELIVERY
 Flow at Max. Pressure.



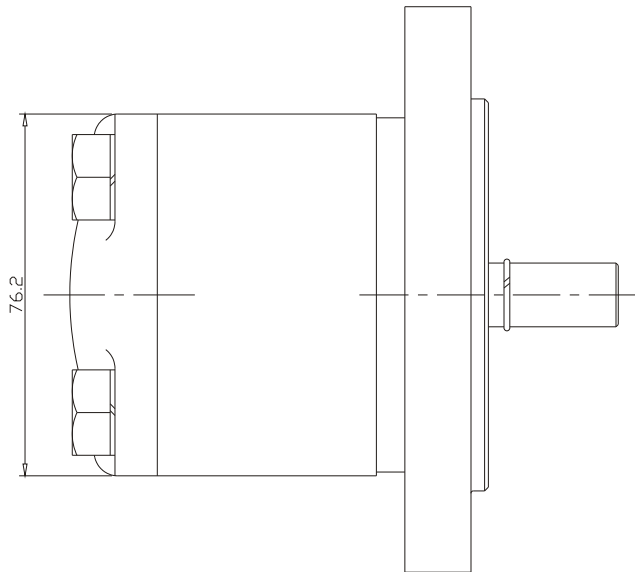
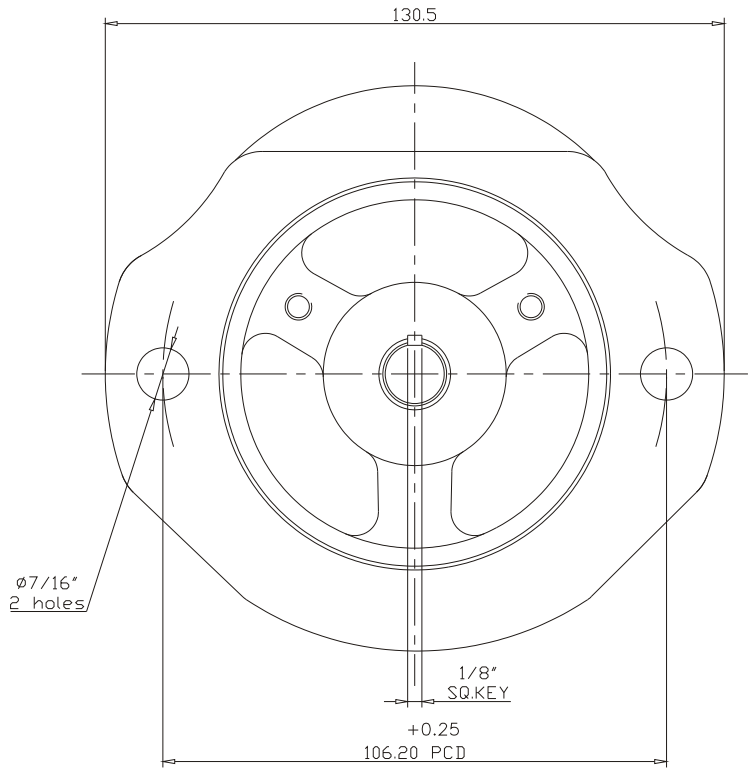
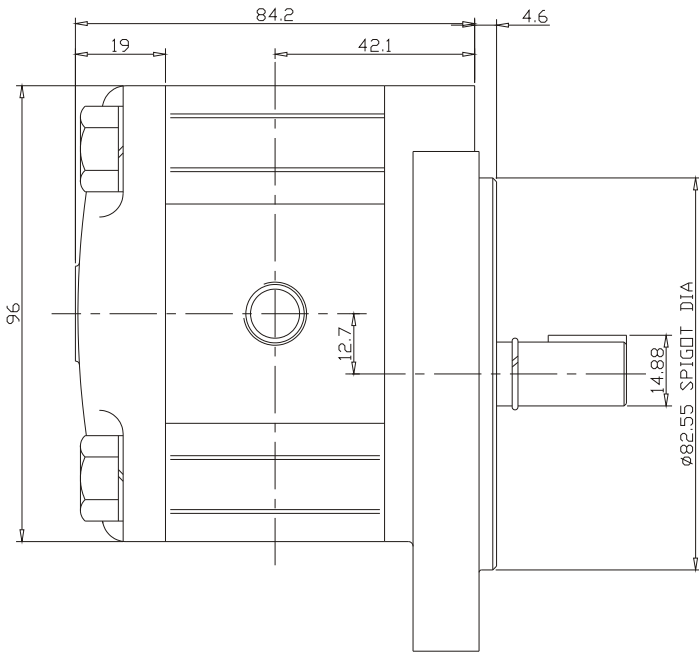
TYPICAL INPUT HORSEPOWER
 Fluid SAE 20W
 Fluid Temperature 50 C



INSTALLATION DIMENSIONS

GROUP – 0P

* All dimension are in mm. Unless specified

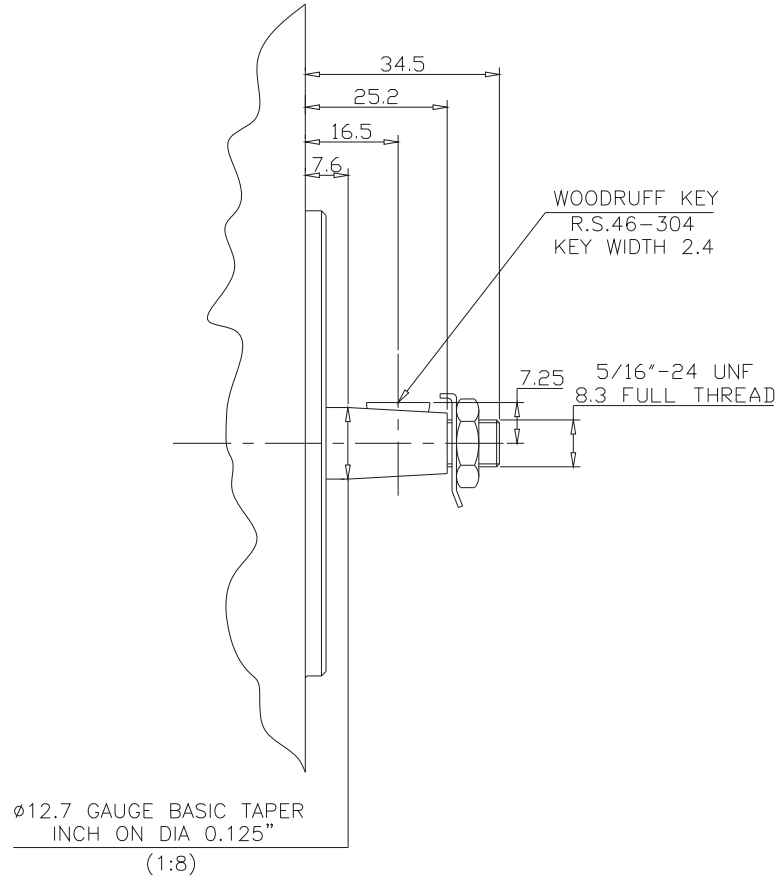


INSTALLATION DIMENSION			
Pump type	Dimension Y	Dimension X	Thread Inlet &Outlet
0P 6003	76.20	38.40	3/8" BSPF
0P 6004	77.20	38.60	3/8" BSPF
0P 6006	78.20	39.10	3/8" BSPF
0P 6008	79.80	39.90	3/8" BSPF
0P 6011	81.90	40.90	3/8" BSPF
0P 6P13	83.10	41.70	1/2" BSPF
0P 6015	84.60	42.40	1/2" BSPF

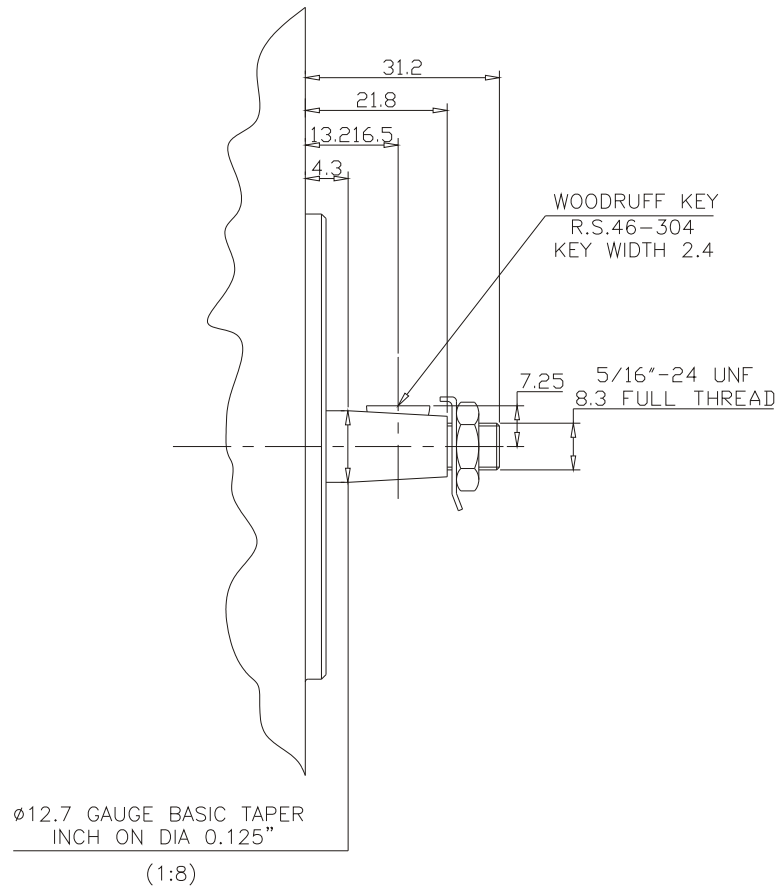
DRIVE SHAFT

GROUP - 0P

SHAFT CODE - T
FOR FLANGE CODE - D



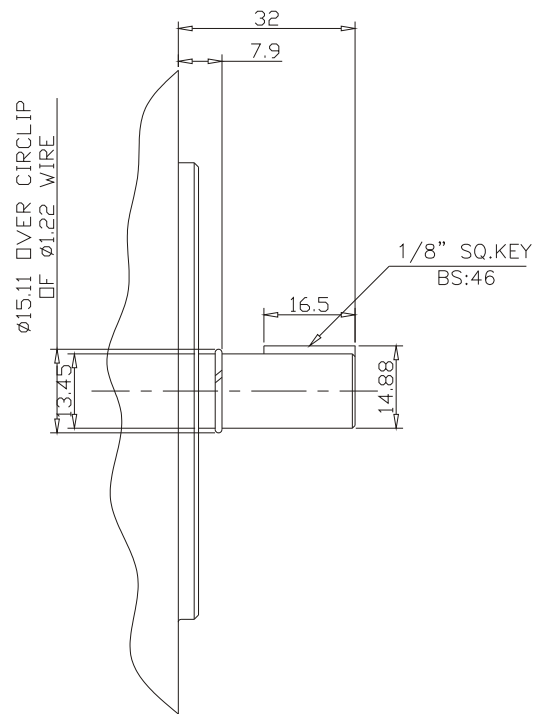
SHAFT CODE - T
FOR FLANGE CODE - S



DRIVE SHAFT

GROUP - 0P

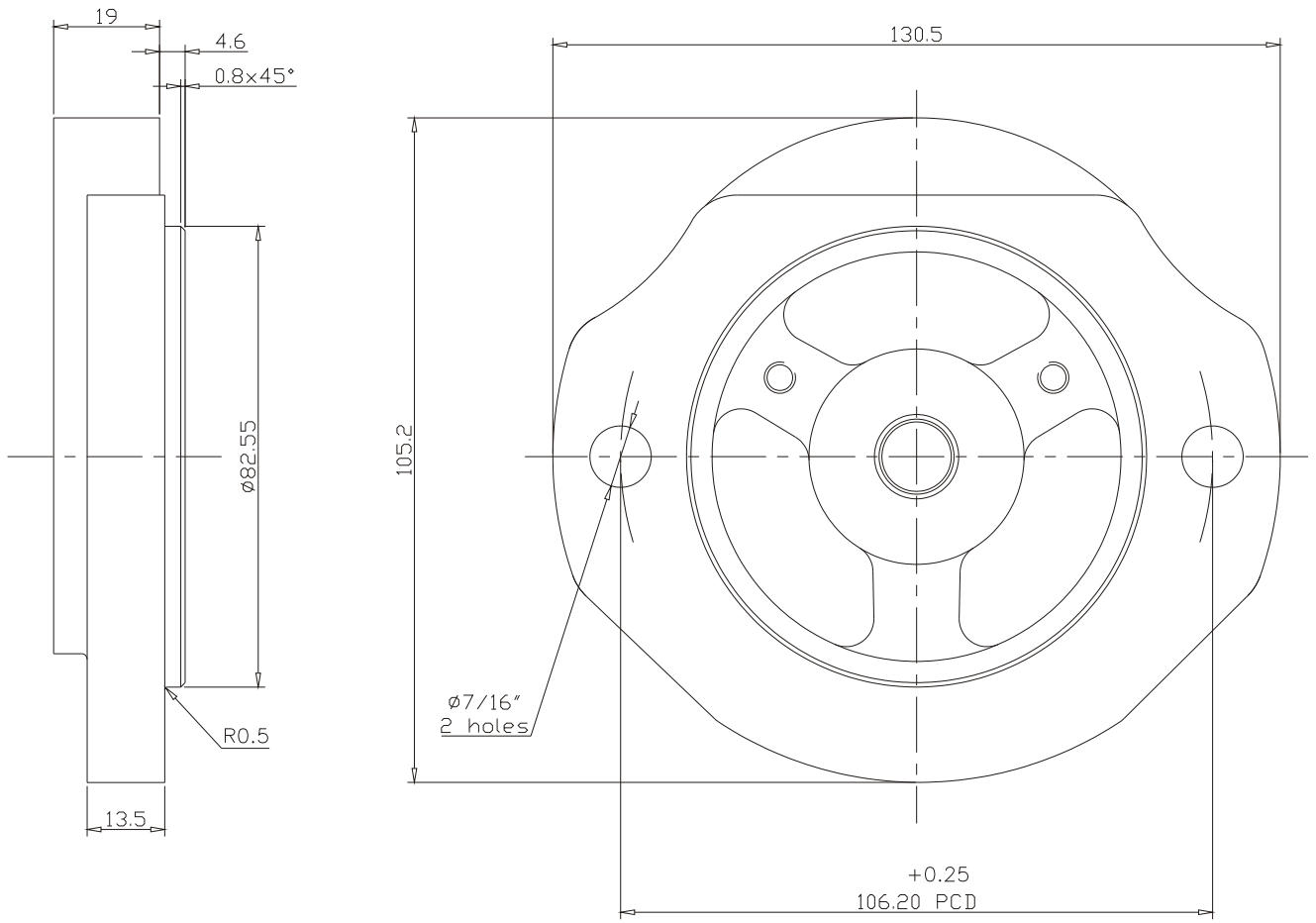
SHAFT CODE - P



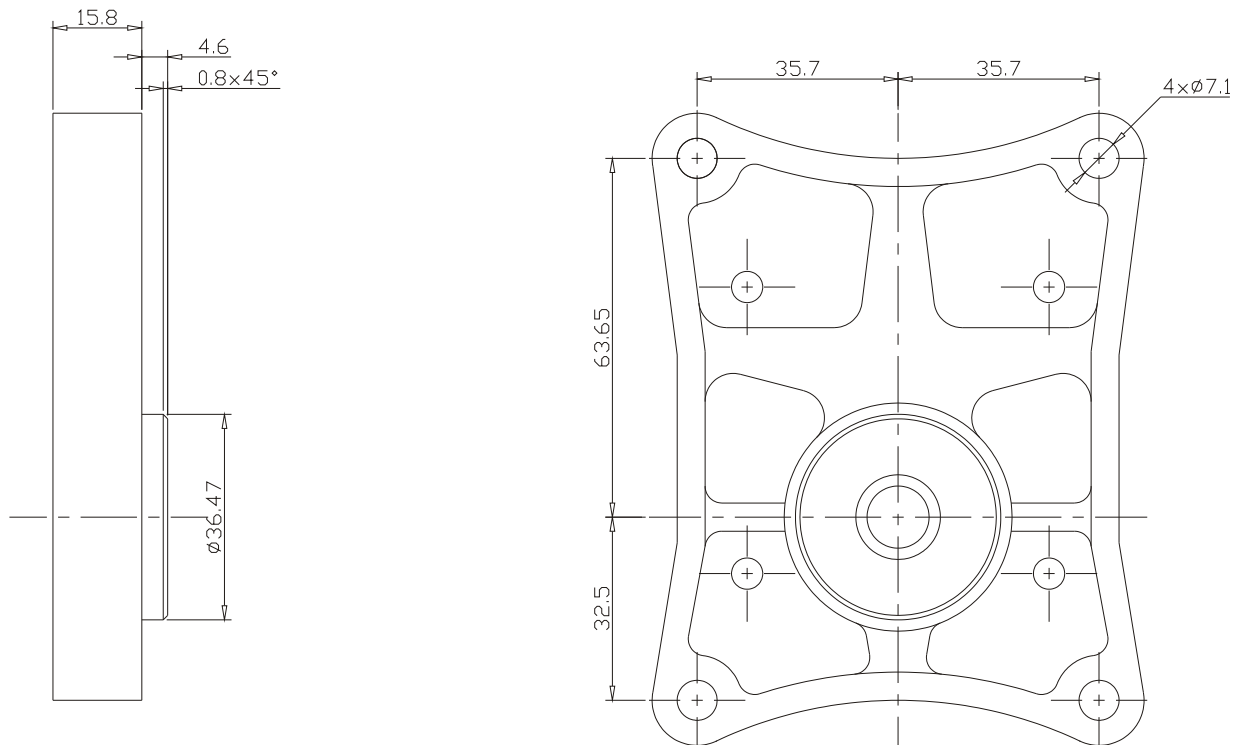
MOUNTING FLANGE

GROUP - 0P

CODE - S



CODE - D

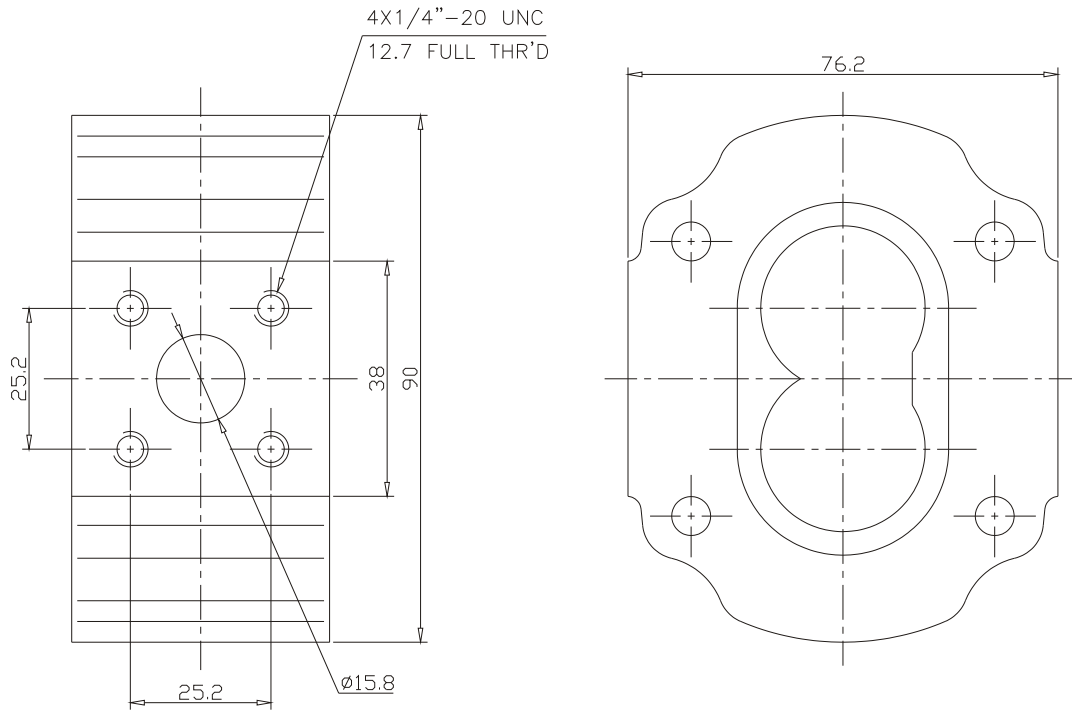


BODY PORT

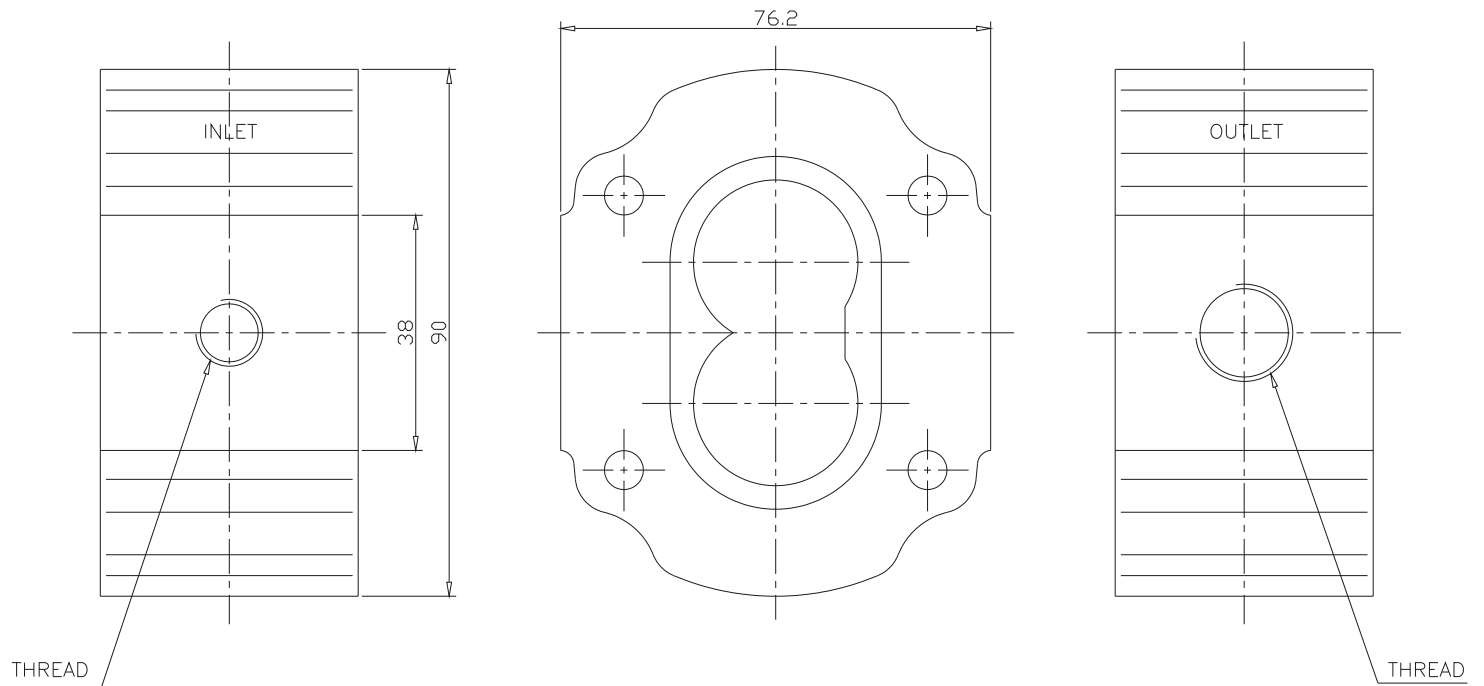
GROUP - OP

CODE - F

* All dimensions are in mm. Unless specified



CODE - T



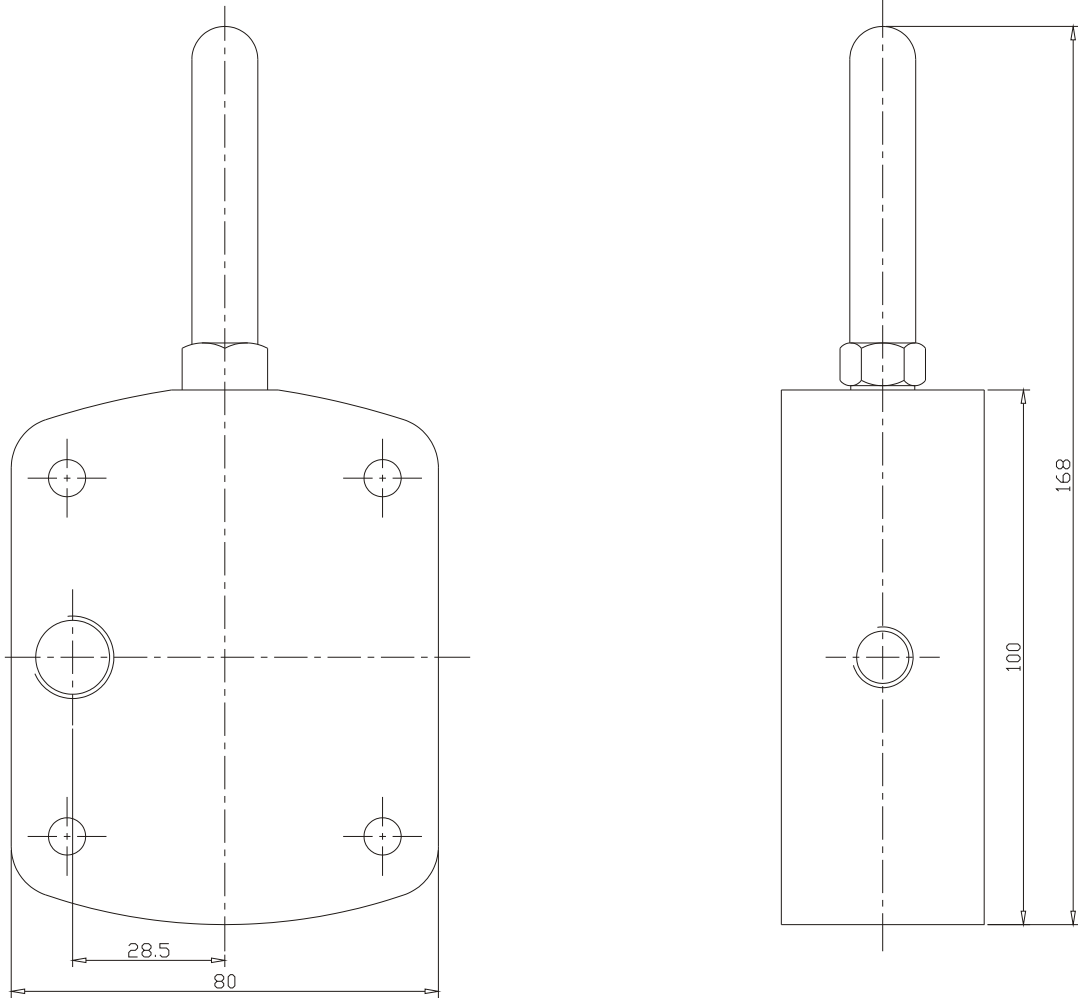
INLET AND OUTLET PORTS

3/8"-BSP FOR PUMP TYPES OP6003 TO 6011
1/2"-BSP FOR PUMP TYPES OP6013 TO 6015

END COVER

GROUP - 0P

CODE - R
RELIEF VALVE SUITABLE FOR GROUP 0P
MOUNTING IN PLACE OF END COVER



CODE - B

