

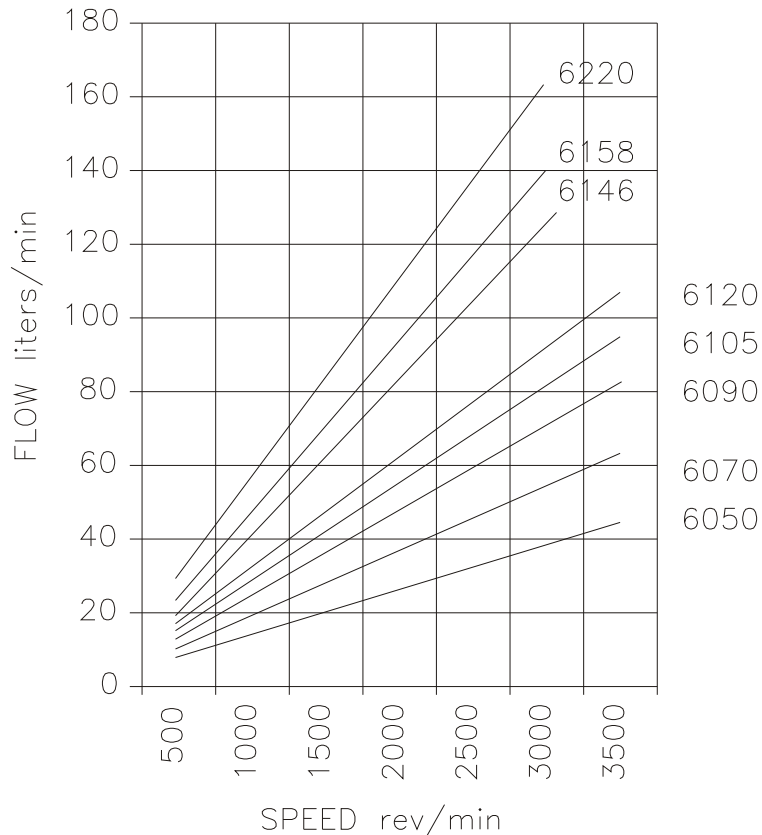
GROUP 2P

Pressures quoted are relief valve maximum by-pass
Performance with SAE 20W oil at 50° C

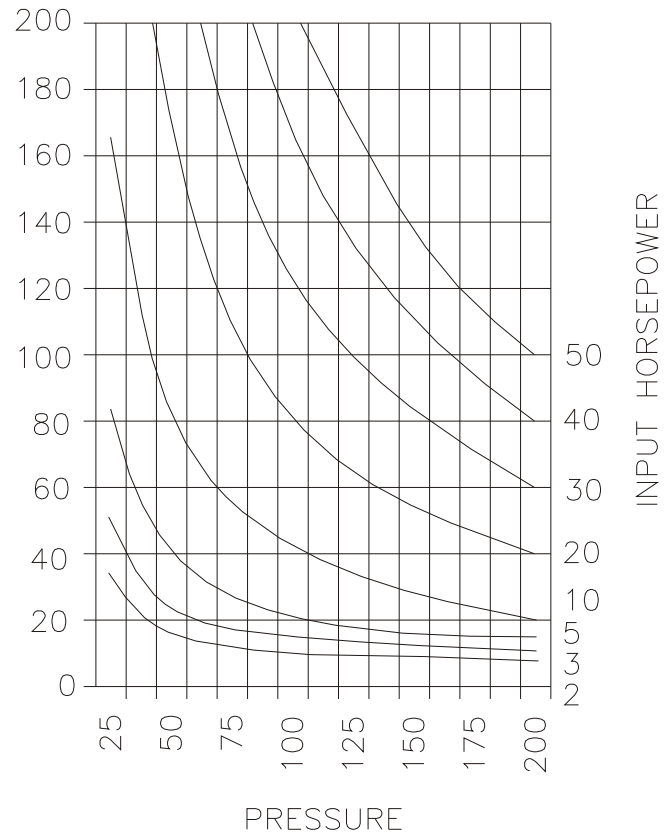
| PUMP TYPE | Nominal Displacement | Nominal Delivery @1500 rpm & Pressure P | Maximum Continuous Pressure P | | Speed at Maximum Continuous Pressure P | |
|-----------|----------------------|---|-------------------------------|-----|--|-----|
| | | | psi | bar | max | min |
| | cc/rev | lpm | | | | |
| 6050 | 15.13 | 22.70 | 3000 | 207 | 3000 | 550 |
| 6070 | 21.33 | 32.00 | 3000 | 207 | 3000 | 550 |
| 6090 | 27.33 | 41.00 | 3000 | 207 | 3000 | 650 |
| 6105 | 31.80 | 47.70 | 3000 | 207 | 3000 | 600 |
| 6120 | 36.33 | 54.50 | 3000 | 207 | 3000 | 650 |
| 6146 | 44.33 | 66.50 | 2525 | 174 | 2500 | 650 |
| 6158 | 47.87 | 71.80 | 2525 | 174 | 2500 | 650 |
| 6220 | 66.67 | 100.00 | 2000 | 138 | 2500 | 650 |

TYPICAL PERFORMANCE

TYPICAL PUMP DELIVERY
Flow at Max. Pressure.



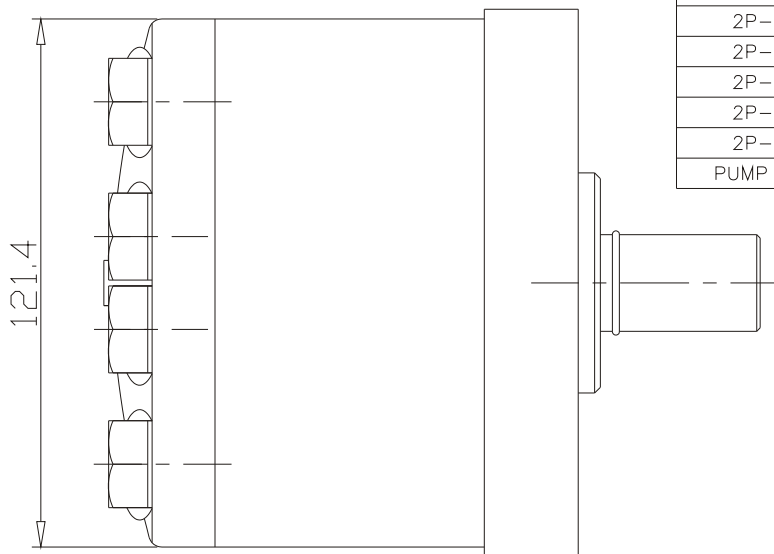
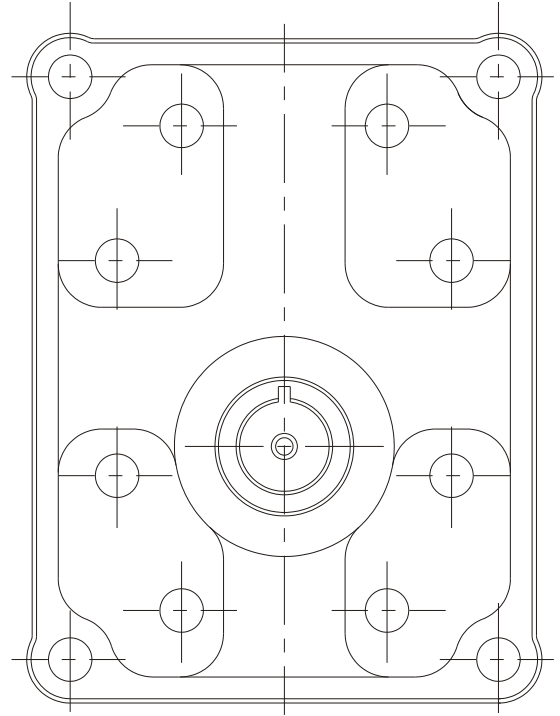
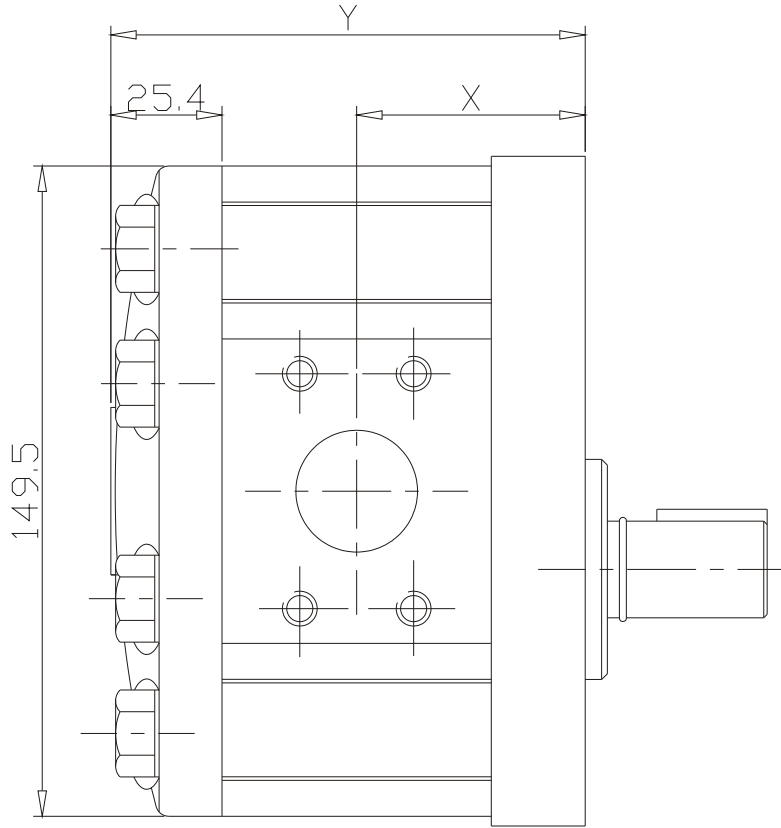
TYPICAL INPUT HORSEPOWER
Fluid SAE 20W
Fluid Temperature 50° C



INSTALLATION DIMENSIONS

GROUP -2P

* All dimension are in mm.Unless specified.



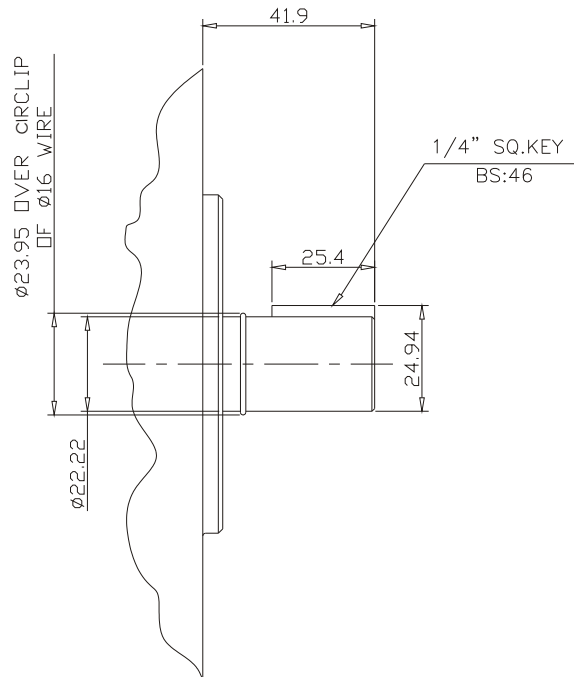
| | | |
|------------|-------|-------|
| 2P-6220 | 81.7 | 167.8 |
| 2P-6200 | 72.8 | 150.0 |
| 2P-6180 | 69.7 | 143.8 |
| 2P-6158 | 74.3 | 153.0 |
| 2P-6146 | 72.8 | 150.0 |
| 2P-6120 | 69.7 | 143.8 |
| 2P-6105 | 67.9 | 140.0 |
| 2P-6090 | 59.1 | 122.6 |
| 2P-6070 | 56.7 | 117.7 |
| 2P-6050 | 54.3 | 113.0 |
| PUMP TYPE. | DIM-X | DIM-Y |

DRIVE SHAFT

GROUP – 2P

CODE – P

* All dimension are in mm.Unles specified.

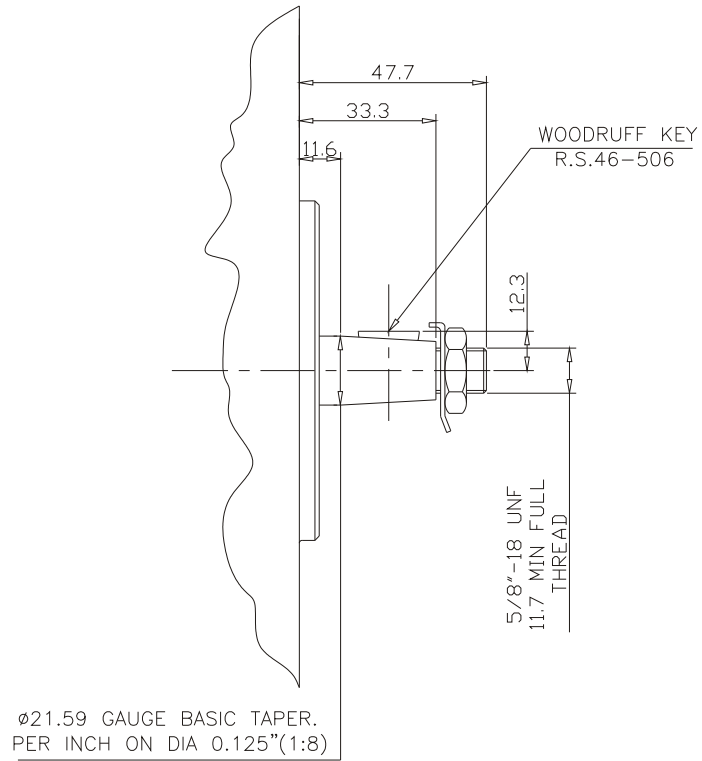


DRIVE SHAFT

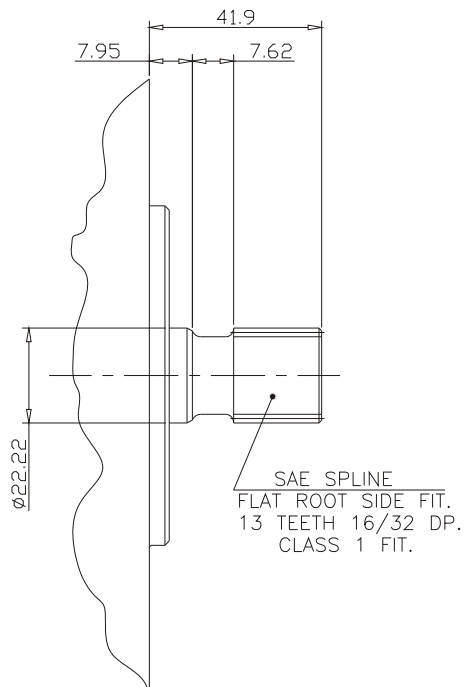
GROUP - 2P

CODE - T

* All dimension are in mm.Unles specified.



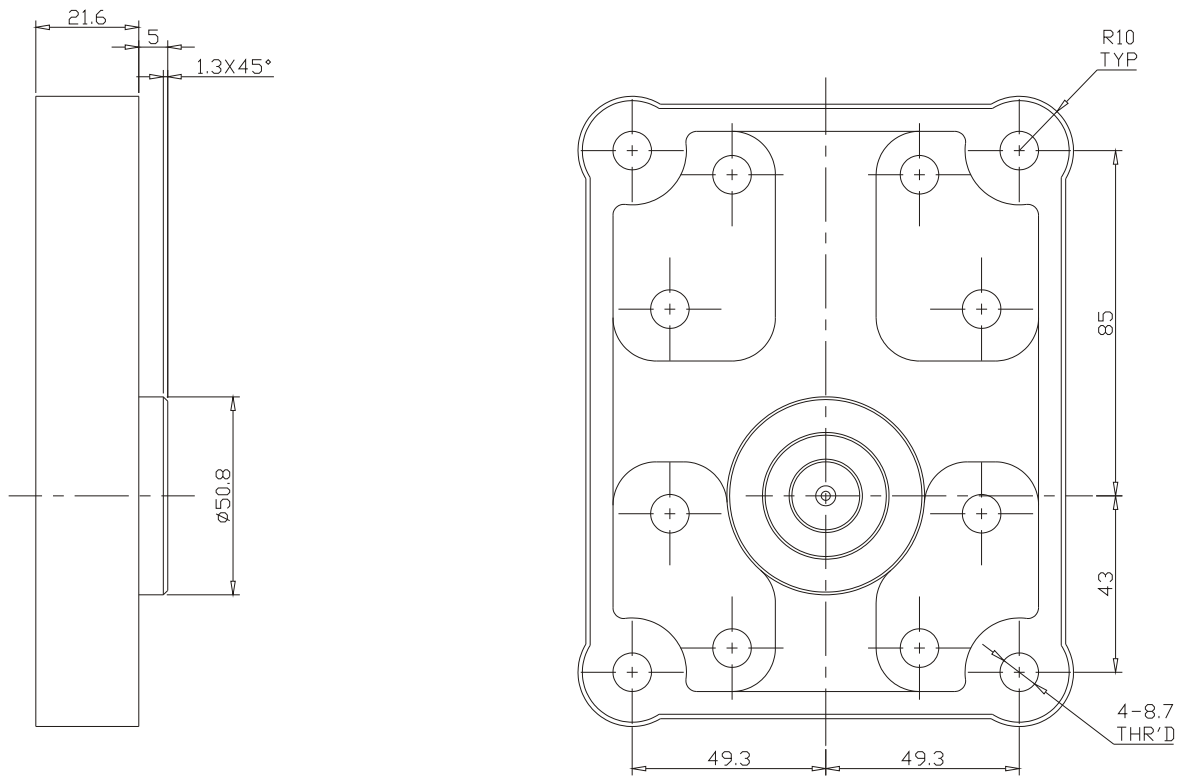
CODE - S



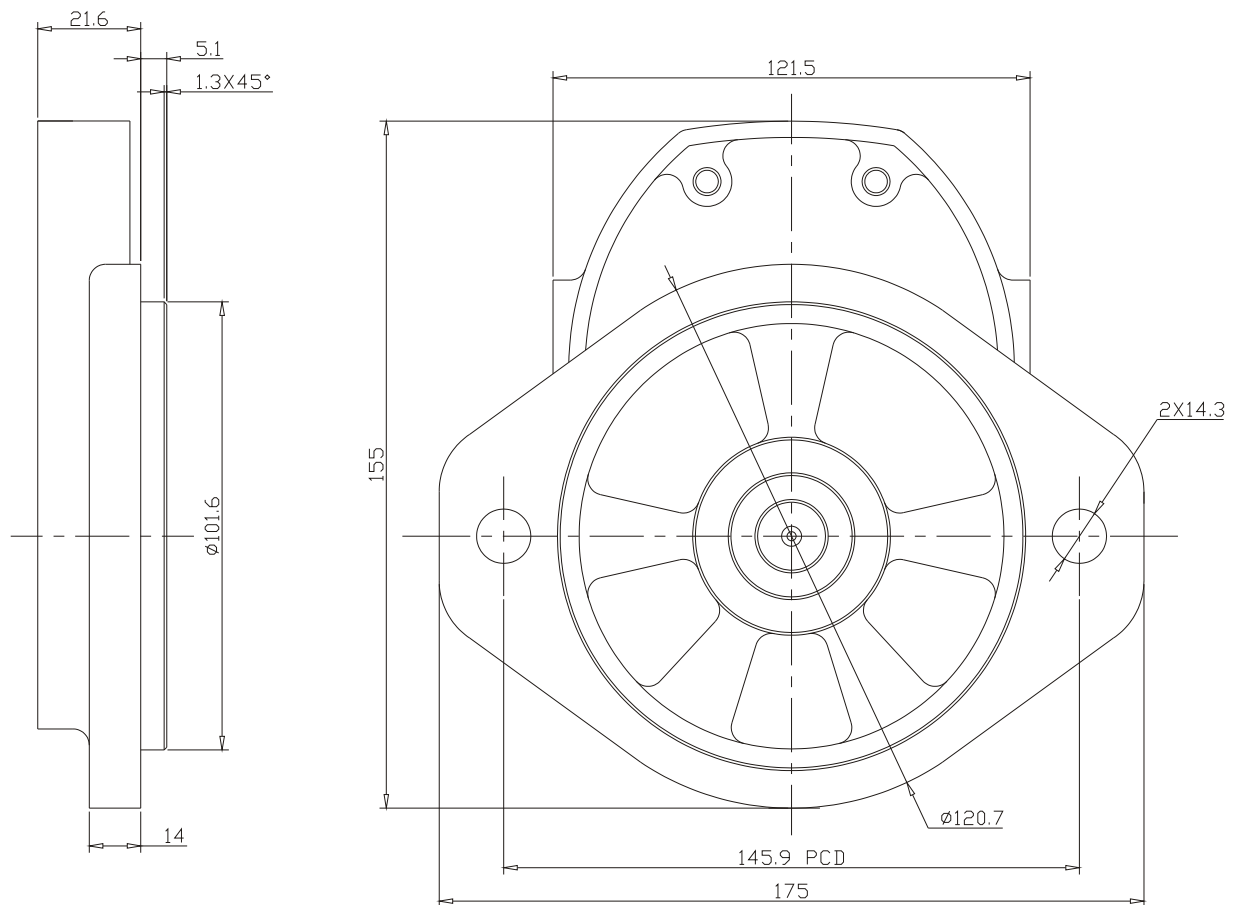
MOUNTING FALNGE CODE - D

GROUP - 2P

* All dimension are in mm.Unles specified.



CODE - S

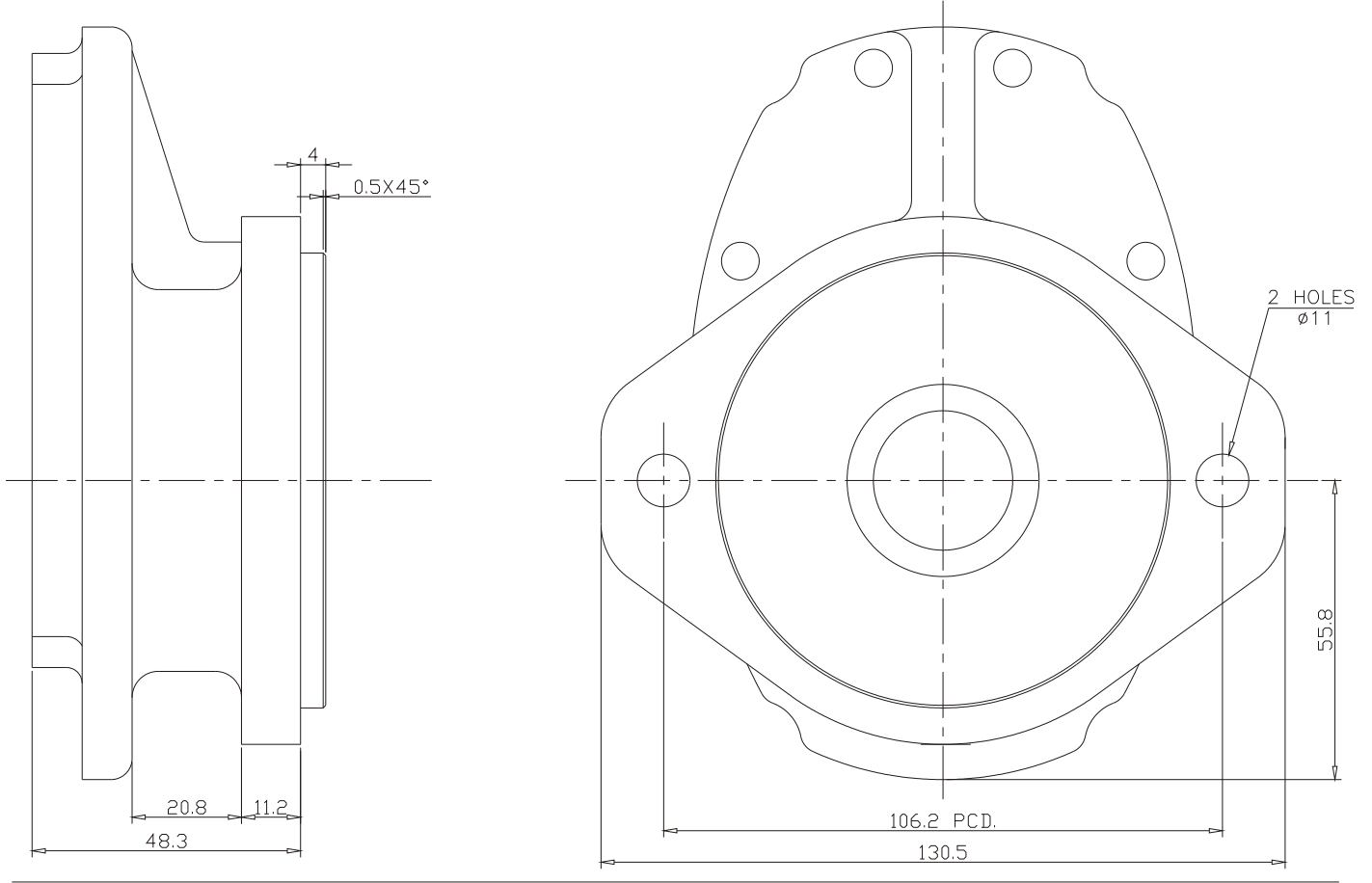


MOUNTING FALNGE

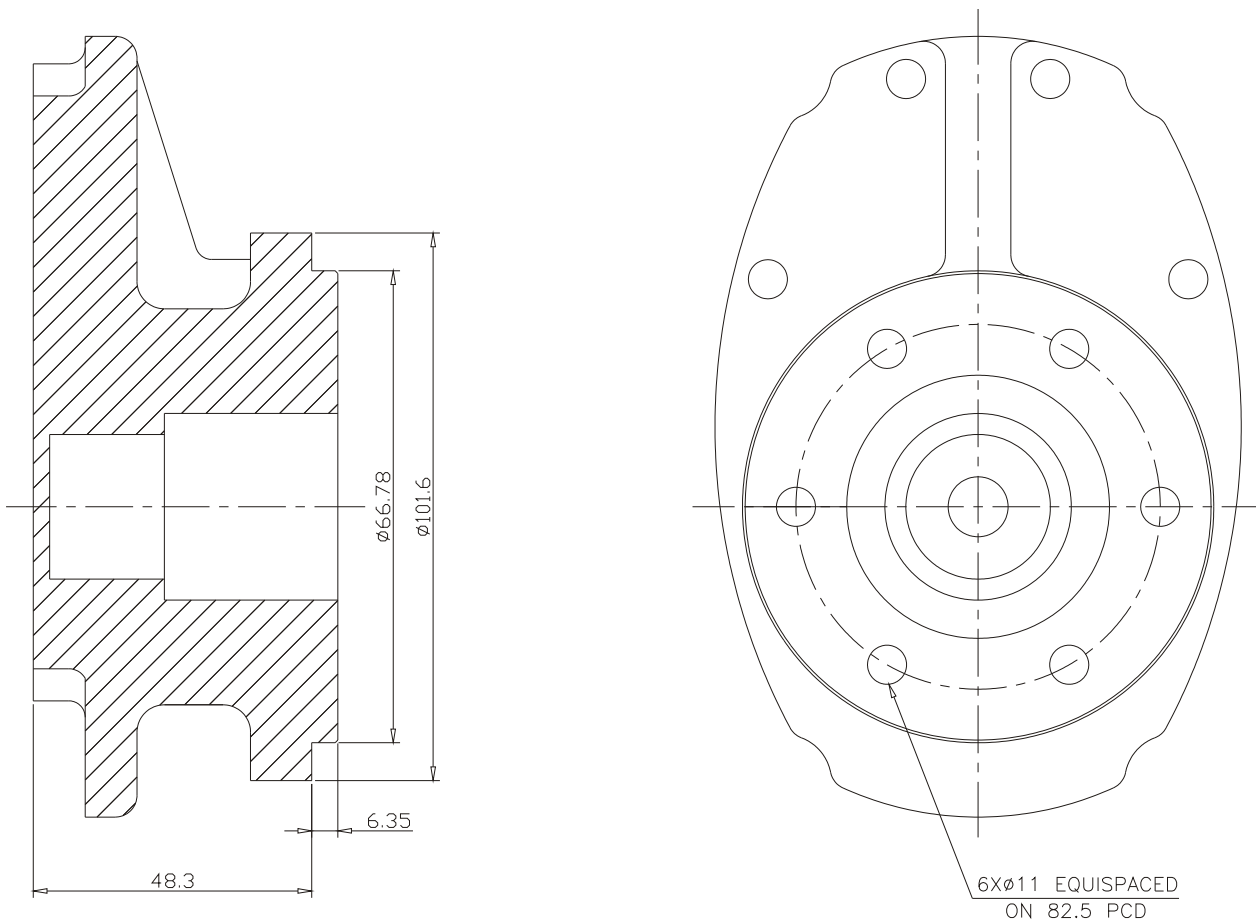
GROUP - 2P

CODE - X

* All dimension are in mm.Unles specified.



CODE - H

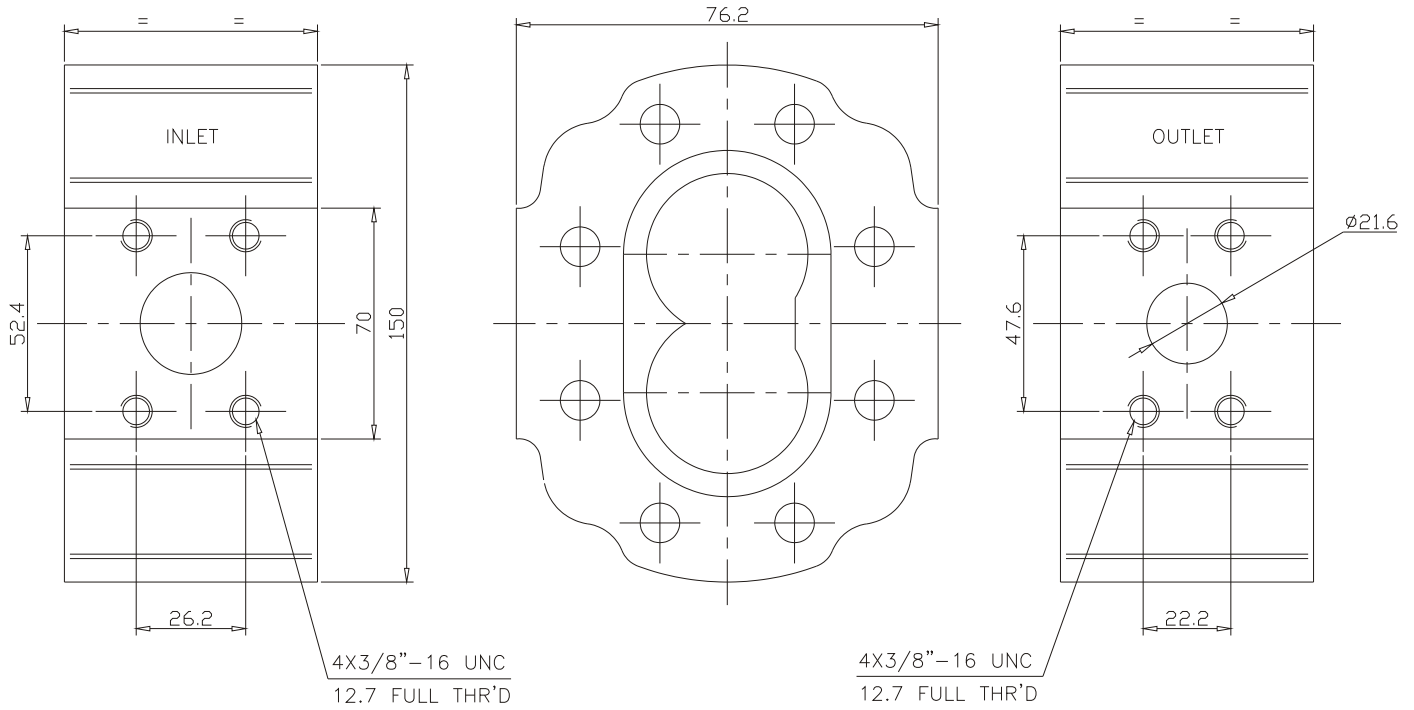


BODY PART

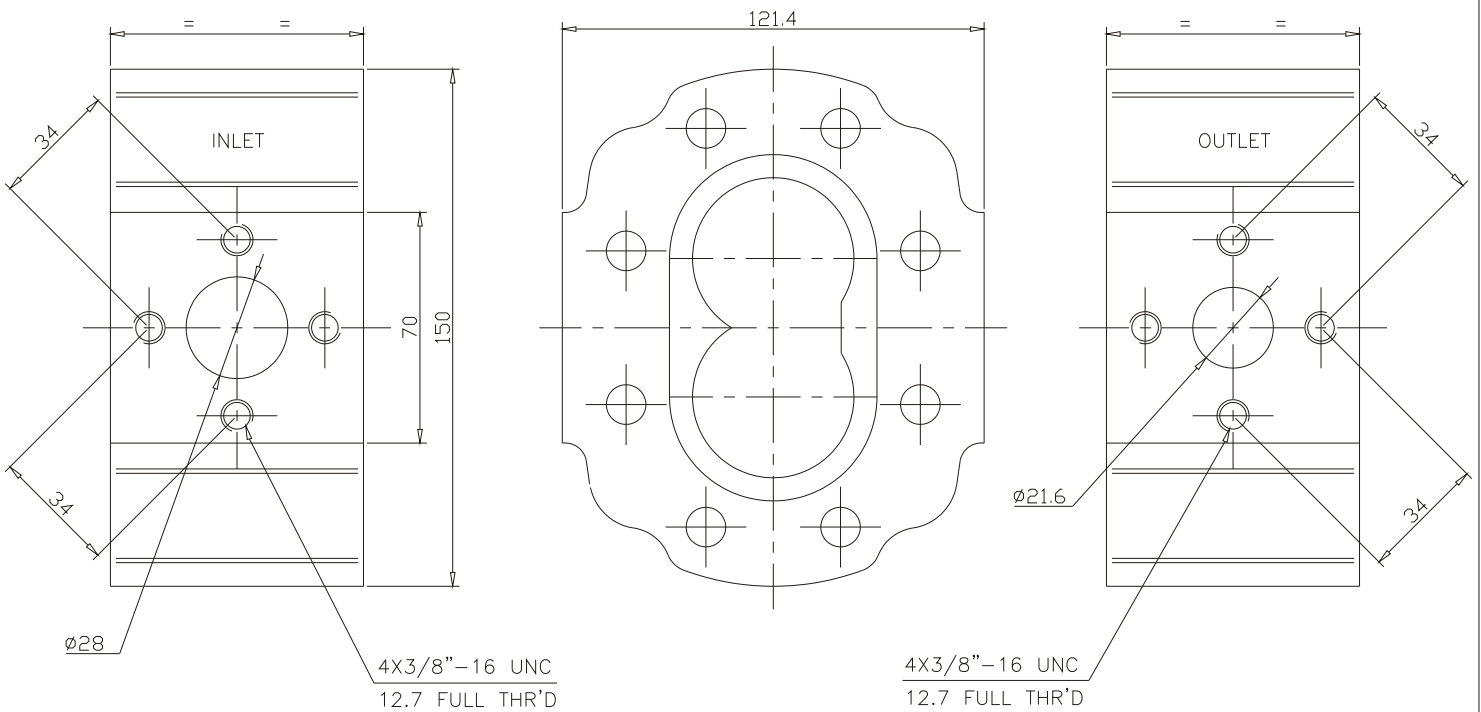
GROUP - 2P

CODE - S

* All dimension are in mm.Unles specified.



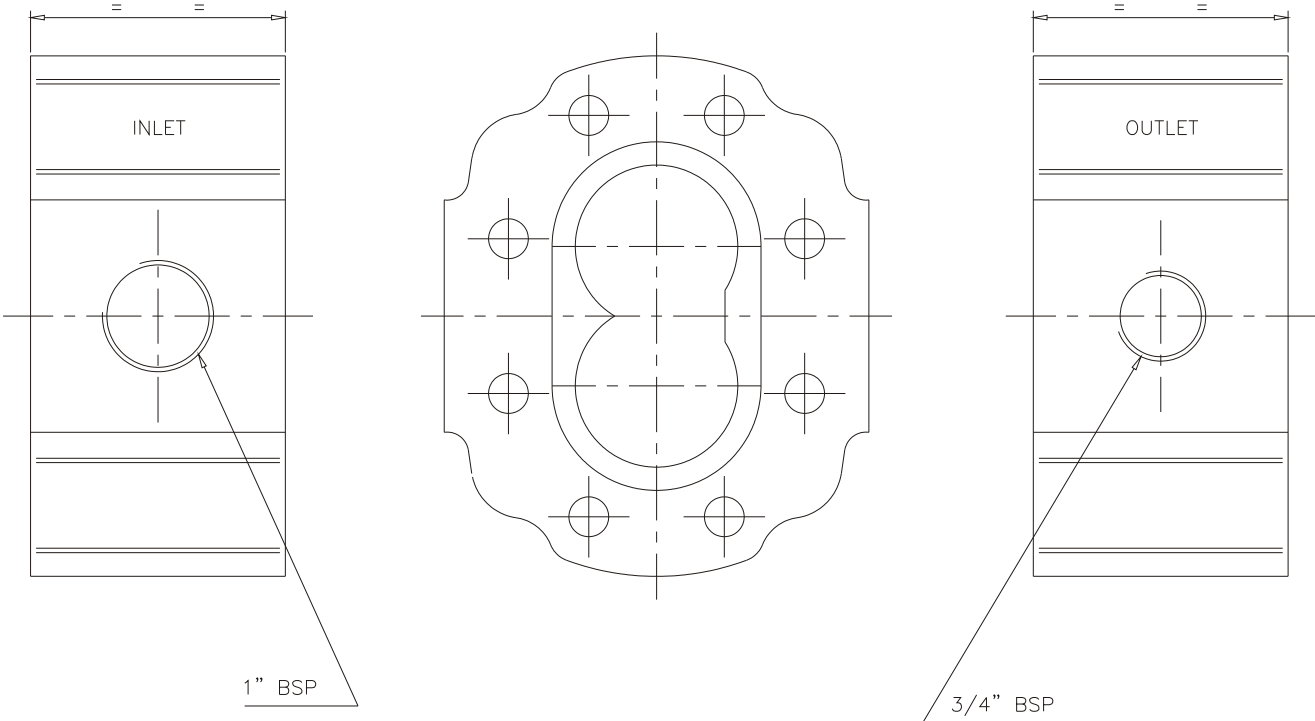
CODE - F



BODY PORT

CODE - T

* All dimension are in mm.Unles specified.



END COVER

GROUP - 2P

CODE - B

* All dimension are in mm.Unles specified.

